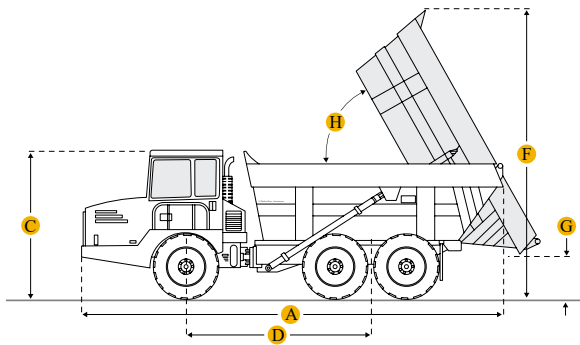
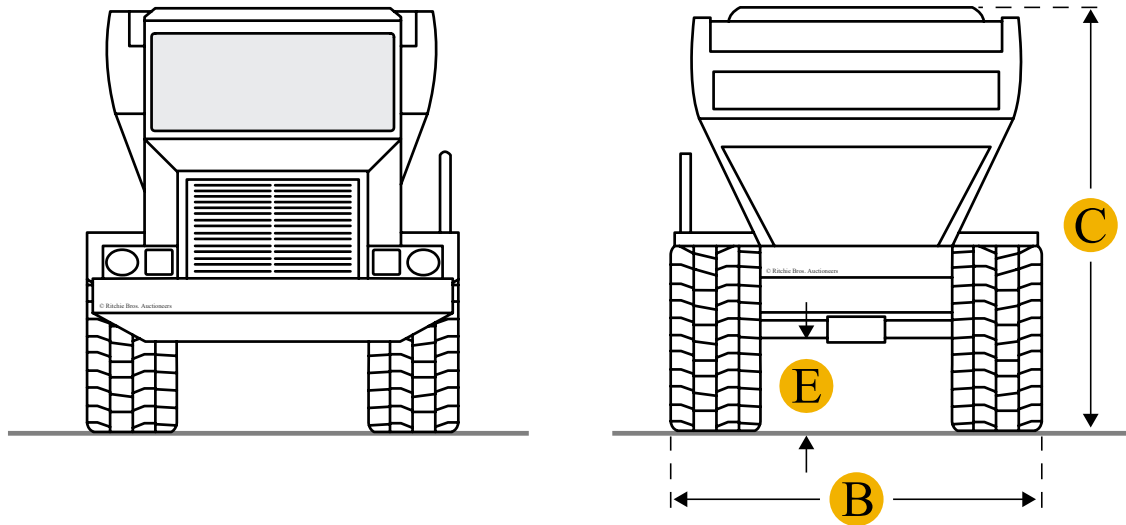




## Caterpillar 740 Articulated Dump Truck



### Dimensions

Dimensions

A Overall Length

35.73 ft in

|      |                              |             |
|------|------------------------------|-------------|
| B    | <b>Overall Width</b>         | 11.26 ft in |
| C    | <b>Overall Height</b>        | 12.29 ft in |
| D    | <b>Wheelbase</b>             | 17.15 ft in |
| E    | <b>Ground Clearance</b>      | 1.9 ft in   |
| F    | <b>Dump Height</b>           | 23.19 ft in |
| G    | <b>Dump Ground Clearance</b> | 2.29 ft in  |
| Dump |                              |             |
| H    | <b>Dump Angle</b>            | 70 degrees  |

---

## Specifications

### Engine

|                                |                      |
|--------------------------------|----------------------|
| <b>Number of Cylinders</b>     | 6                    |
| <b>Engine Make</b>             | 2236                 |
| <b>Engine Model</b>            | C15 ACERT Technology |
| <b>Gross Power</b>             | 464 hp               |
| <b>Net Power</b>               | 445 hp               |
| <b>Power Measured @</b>        | 1700 rpm             |
| <b>Displacement</b>            | 926 cu in            |
| <b>Aspiration</b>              | Turbocharged         |
| <b>Bore</b>                    | 5.4 in               |
| <b>Stroke</b>                  | 6.8 in               |
| <b>Net Power - ISO 9249</b>    | 458 hp               |
| <b>Net Power - SAE J1349</b>   | 453 hp               |
| <b>Gross Power - SAE J1995</b> | 469 hp               |
| <b>Engine Model</b>            | Cat C15 ACERT        |
| <b>Net Power - EEC 80/1269</b> |                      |

|  |            |
|--|------------|
|  | 458 hp     |
| Operational                            |            |
| <b>Fuel Capacity</b>                   | 148 gal    |
| <b>Hydraulic System Fluid Capacity</b> | 61.6 gal   |
| <b>Cooling System Fluid Capacity</b>   | 21.2 gal   |
| <b>Engine Oil Capacity</b>             | 10.1 gal   |
| <b>Transmission Fluid Capacity</b>     | 19.1 gal   |
| <b>Tire Size</b>                       | 29.5R25    |
| Transmission                           |            |
| <b>Number of Forward Gears</b>         | 7          |
| <b>Number of Reverse Gears</b>         | 2          |
| <b>Max Speed</b>                       | 34 mph     |
| <b>Forward - 1</b>                     | 5.5 mph    |
| <b>Forward - 2</b>                     | 7.5 mph    |
| <b>Forward - 3</b>                     | 10.2 mph   |
| <b>Forward - 4</b>                     | 13.7 mph   |
| <b>Forward - 5</b>                     | 18.6 mph   |
| <b>Forward - 6</b>                     | 25.1 mph   |
| <b>Forward - 7</b>                     | 34 mph     |
| <b>Reverse - 1</b>                     | 5.2 mph    |
| <b>Reverse - 2</b>                     | 7.2 mph    |
| Weights                                |            |
| <b>Front Axle - empty</b>              | 42791.8 lb |
| <b>Center Axle - empty</b>             | 15542.6 %  |
| <b>Rear Axle - empty</b>               | 14065.5 lb |
| <b>Front Axle - loaded</b>             | 53528.3 %  |

|                                  |             |
|----------------------------------|-------------|
| <b>Center Axle - loaded</b>      | 52062.2 %   |
| <b>Rear Axle - loaded</b>        | 50585.1 lb  |
| <b>Total Empty</b>               | 72399.9 lb  |
| <b>Total Loaded</b>              | 156175.5 lb |
| Dump                             |             |
| <b>Rated Payload</b>             | 83775.7 lb  |
| <b>Capacity - Struck</b>         | 22.8 yd3    |
| <b>Capacity - Heaped</b>         | 30 yd3      |
| <b>Dump Angle</b>                | 70 degrees  |
| <b>Raise Time</b>                | 12 sec      |
| <b>Lower Time</b>                | 7 sec       |
| Dimensions                       |             |
| <b>Overall Length</b>            | 35.8 ft in  |
| <b>Overall Width</b>             | 11.3 ft in  |
| <b>Overall Height</b>            | 12.3 ft in  |
| <b>Wheelbase</b>                 | 17.2 ft in  |
| <b>Ground Clearance</b>          | 1.9 ft in   |
| <b>Dump Height</b>               | 23.2 ft in  |
| <b>Dump Ground Clearance</b>     | 2.3 ft in   |
| Service Refill Capacities        |             |
| <b>Cooling System</b>            | 21.1 gal    |
| <b>Fuel Tank</b>                 | 140.5 gal   |
| <b>Engine Crankcase</b>          | 9.5 gal     |
| <b>Transmission</b>              | 19 gal      |
| <b>Hydraulic System</b>          | 86.6 gal    |
| <b>Final Drives/Differential</b> | 19 gal      |

|                                 |                          |
|---------------------------------|--------------------------|
| <b>Output Transfer Gear Box</b> | 4.8 gal                  |
| Standards                       |                          |
| <b>Cab - FOPS</b>               | ISO 3449 Level II - 2005 |
| <b>Cab - ROPS</b>               | ISO 3471 - 2008          |
| <b>Brakes</b>                   | ISO 3450 - 1996          |
| <b>Steering</b>                 | ISO 5010 - 2007          |
| Operating Weights               |                          |
| <b>Front Axle - Empty</b>       | 42770 lb                 |
| <b>Center Axle - Empty</b>      | 15873 lb                 |
| <b>Rear Axle - Empty</b>        | 14330 lb                 |
| <b>Total - Empty</b>            | 72973 lb                 |
| <b>Front Axle - Rated Load</b>  | 11464 lb                 |
| <b>Center Axle - Rated Load</b> | 37809 lb                 |
| <b>Rear Axle - Rated Load</b>   | 37809 lb                 |
| <b>Total - Rated Load</b>       | 87083 lb                 |
| <b>Front Axle - Loaded</b>      | 54234 lb                 |
| <b>Center Axle - Loaded</b>     | 53683 lb                 |
| <b>Rear Axle - Loaded</b>       | 52139 lb                 |
| <b>Total - Loaded</b>           | 160055 lb                |
| Sound Levels                    |                          |
| <b>Interior Cab</b>             | 79 dB(A)                 |
| Body Capacities                 |                          |
| <b>Heaped (SAE 2:1)</b>         | 31.4 yd <sup>3</sup>     |
| <b>Struck</b>                   | 24.2 yd <sup>3</sup>     |
| <b>Tailgate Struck</b>          | 25.5 yd <sup>3</sup>     |
| <b>Tailgate Heaped SAE 2:1</b>  |                          |

|                      |                      |
|----------------------|----------------------|
|                      | 33.5 yd <sup>3</sup> |
| Body Hoist           |                      |
| <b>Raise Time</b>    | 12 s                 |
| <b>Lower Time</b>    | 7 s                  |
| Body Plate Thickness |                      |
| <b>Front</b>         | 0.4 in               |
| <b>Scow</b>          | 0.7 in               |
| <b>Side</b>          | 0.5 in               |
| <b>Base</b>          | 0.7 in               |